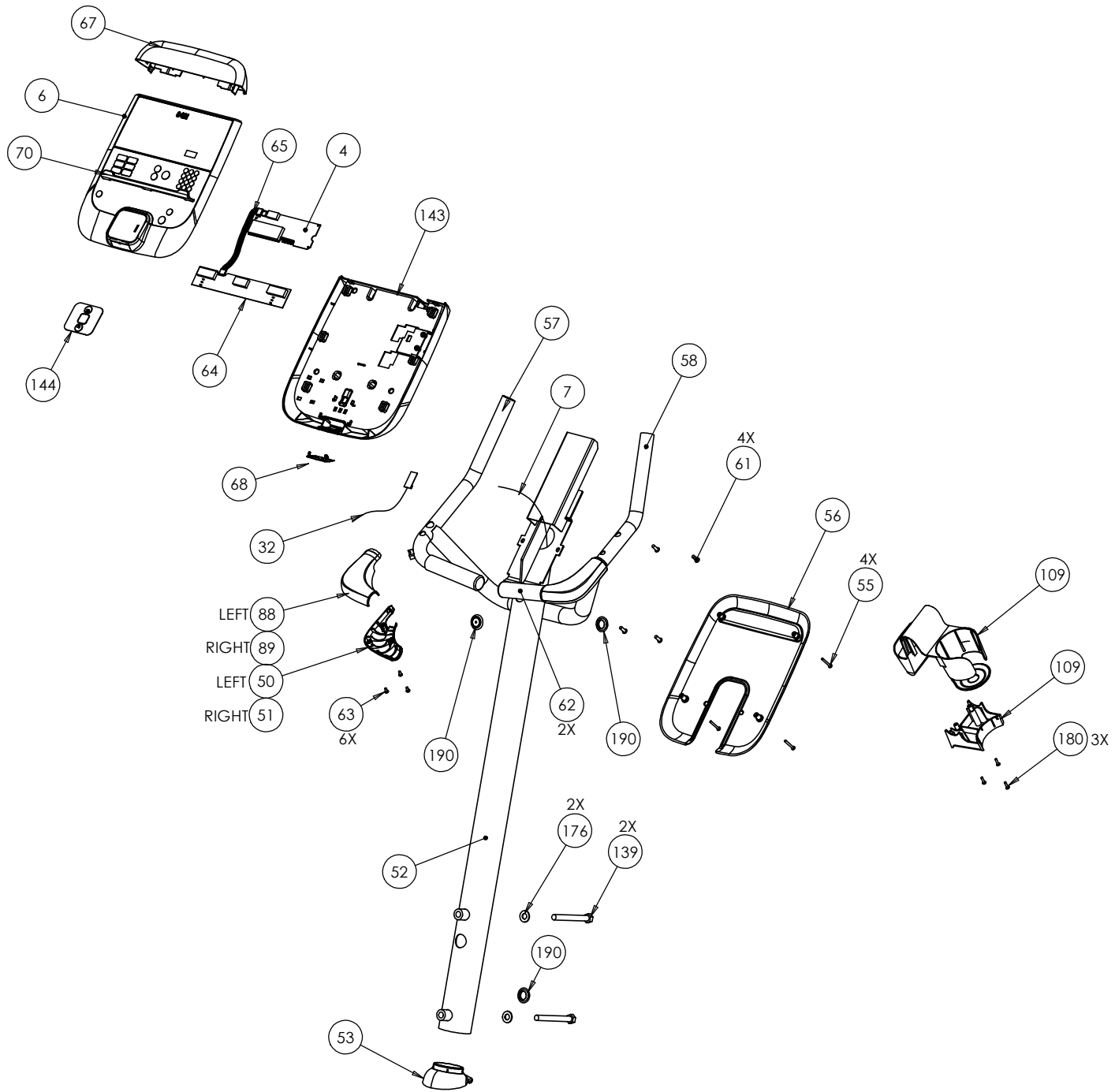
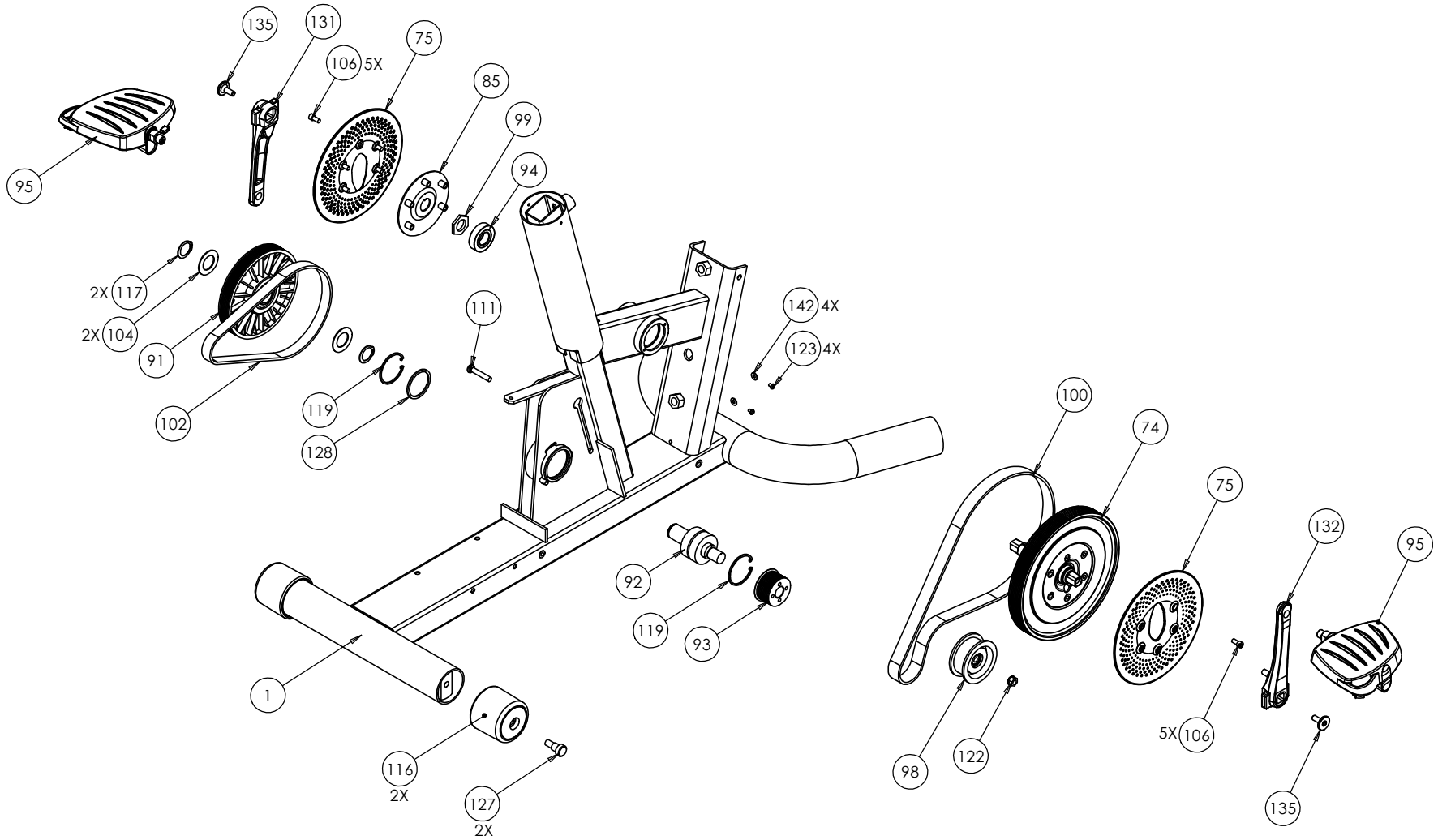
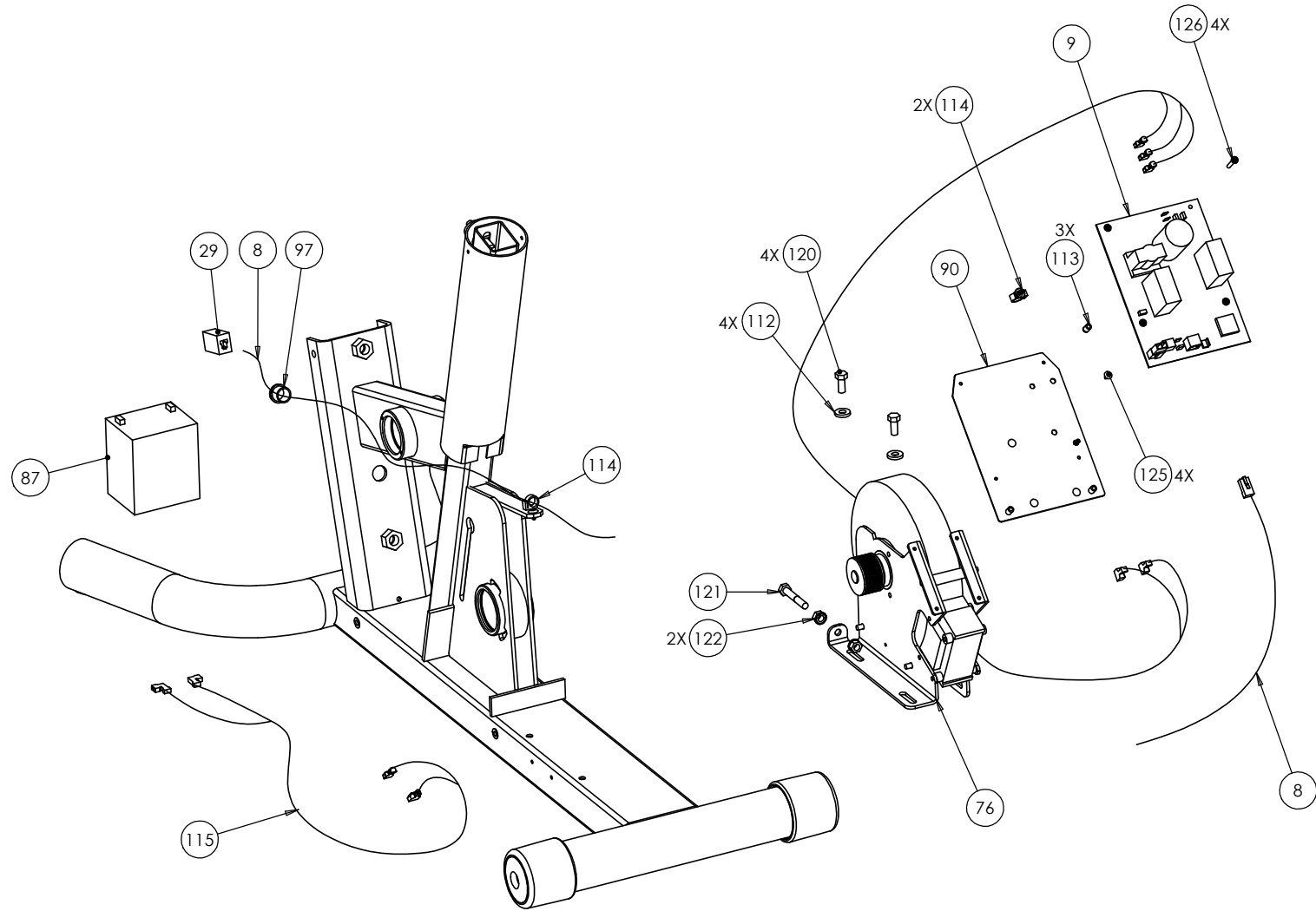
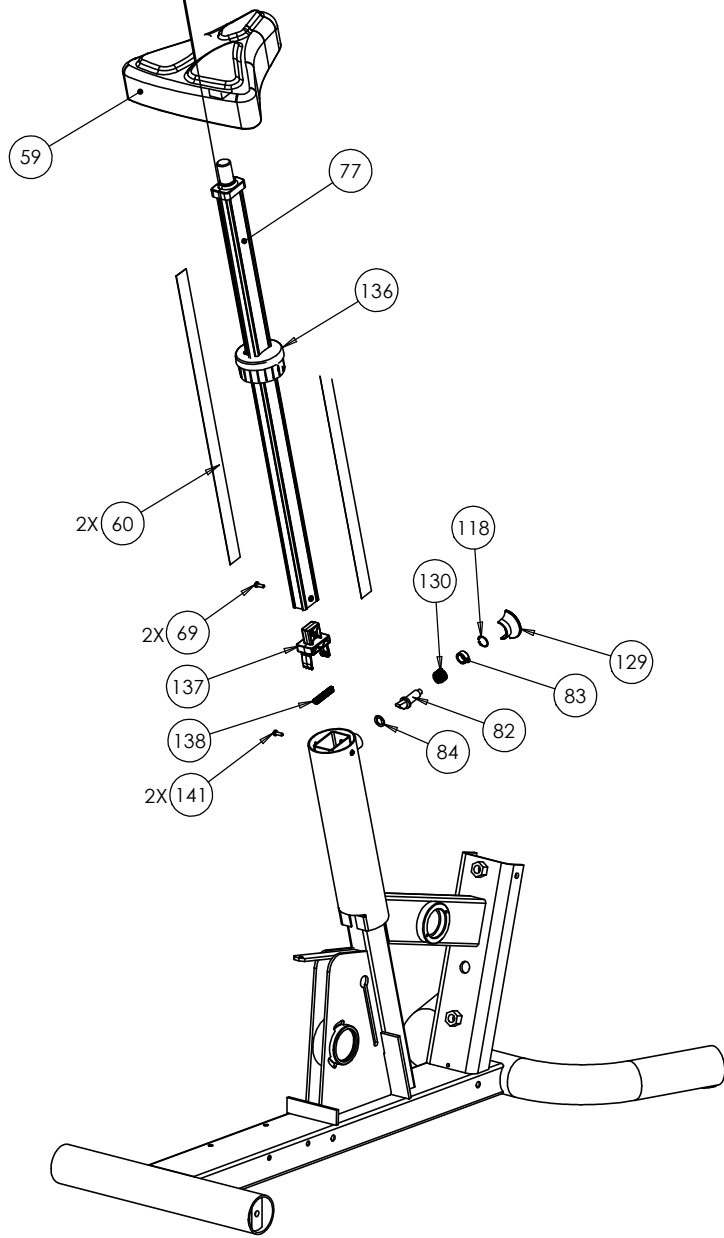


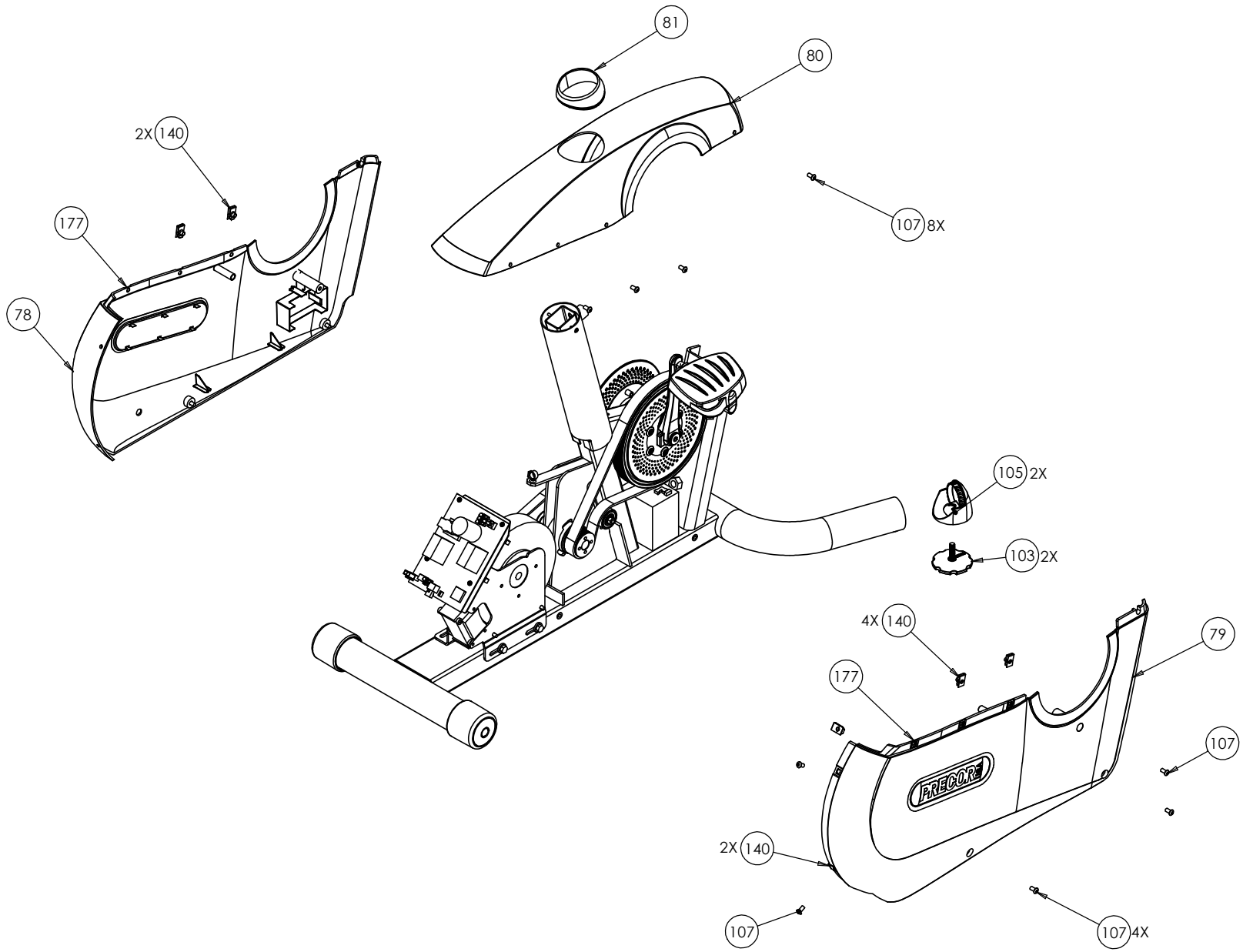
C842I UPRIGHT	P/N : 49411-101	SUBREV : E
DRAWN BY : M.HAMILTON	DATE : 12.18.07	SHEET 1 OF 6











C842i (upright)(serial code AA83, AJMR)		
Part Number	Description	Bubble Number
PPP000000045402109	WELDMENT, FRAME, 842I/846I UPRIGHT,	1
PPP000000049714401	PCA, DISPLAY, CV2	4
PPP000000048780101	ASSEMBLY, DISPLAY PANEL/LABEL, C842	6
PPP000000044905052	ASSY, CABLE, MOD, 8P8C, 1-1, SILVER	7
PPP000000044905042	ASSY,CBL,MOD,8P8C,1-1,42"	8
PPP000000049445101	ASSY, LOWER PCA & SW, LCSPAM BIKE,	9
PPP000000049421401	SW, BIKE, LCSPAM LOWER, 3 PHASE, DI	27
PPP000000011415102	COUPLER,MOD,8P8C,INLINE,SNAP-IN	29
PPP000000049725101	RECEIVER, WIRELESS, HEART RATE, HIG	32
PPP000000049238101	ELBOW PAD, LH, BOTTOM	50
PPP000000049238102	ELBOW PAD, RH, BOTTOM	51
PPP000000048884102	WELDMENT, DISPLAY-C SUPPORT, C842I/	52
PPP000000045512101	SWEAT BIB	53
PPP00000MGCN016100	MACHINE SCREW, 8-32 X 1, PAN HEAD	55
PPP000000048708101	REAR COVER, DISPLAY-C, W/O HANDLEBA	56
PPP000000038580116	GRIP HANDLEBAR,PLASTI-SOL,LH C842/C	57
PPP000000038580115	GRIP HANDLEBAR, PLASTI-SOL,RH C842/	58
PPP000000038649101	SEAT,846I/842I UPRIGHT	59
PPP000000045523101	LABEL, UPRIGHT, SEAT POST POSITION	60
PPP0000000300019101	LABEL, UPRIGHT, SEAT POST POSITION,	60
PPP00000TFTN025075	SCREW,BTHD,1/4-20X3/4,BLK SHARPERIZ	61
PPP000000038580117	GRIP HANDLEBAR,5.25 LONG,PLASTI-SOL	62
PPP00000MGCN016038	SCREW,MCH,8-32X3/8,PANHD,PHIL,	63
PPP000000048947103	ASSY, PCA & SW, DISPLAY-C, METRICS,	64
PPP000000048602009	ASSY,CABLE,6C,.1 CTR,1-1,GOLD,9"	65
PPP000000048713101	TOP, DISPLAY-C, BLANK	67
PPP000000048714101	ACCESS PANEL, HEADPHONE JACK	68
PPP00000PMTN016050	SCREW,TCS,#8X1/2,PHIL,BLK SHARPERIZ	69
PPP000000048712102	BOOK SUPPORT, DISPLAY-C, MAKROBLEND	70
PPP000000045439104	ASSY,CRANK, INPUT,INTEGRATED BEARIN	74
PPP000000045747101	CRANK COVER, SELF-POWERED BIKE	75
PPP000000045436101	ASSEMBLY,SP,GENERATOR,BIKE	76
PPP0000000300104101	ASSY, SEAT POST WELDMENT WITH EMBOS	77
PPP000000049308101	ASSEMBLY, COVER W/LABELS,BIKE,LEFT,	78
PPP000000049308102	ASSEMBLY, COVER W/LABELS,BIKE,RIGHT	79

PPP00000045510102	COVER, TOP, BIKE, UPRIGHT, STONE GREY	80
PPP00000045513101	BOOT, SEAT POST	81
PPP00000050999103	REPAIR KIT, UPRIGHT BIKE SEAT POST A	82
PPP00000045525101	UPRIGHT, SEAT POST, ADJUST PIN, PAD	84
PPP00000045842101	ASSY, LOCKRING, SELF-POWERED BIKE	85
PPP00000012258040	BATTERY, SLA, 12V, 4AH, .187 TABS	87
PPP00000049045101	ELBOW PAD, LH	88
PPP00000049045102	ELBOW PAD, RH	89
PPP00000045438101	BRACKET, BOARD, SELF POWERED, BIKE	90
PPP00000047435101	ASSY, SECONDARY SHEAVE, C846I	91
PPP00000045449101	ASSY, SECONDARY SHAFT	92
PPP00000045450104	SHEAVE, SECONDARY AXLE	93
PPP00000045441105	INTEGRATED ACORN NUT, BEARING, BALL,	94
PPP00000058017102	PEDAL KIT, RIGHT AND LEFT	95
PPP00000046824101	STRAP, PEDAL, 846/842	95.01
PPP00000010178102	BUSHING, SNAP (SB-750-625)	97
PPP00000046825101	PULLEY, IDLER, FLANGED	98
PPP00000045445101	NUT, CEASE, CRANK	99
PPP00000010217137	BELT, DRIVE, 420J10 POLY V	100
PPP00000010217136	BELT, DRIVE, POLY V 260J8	102
PPP00000039916102	FOOT, ADJUSTING	103
PPP00000012089103	26MM THRUST BEARING IGUS, LTM-2644-0	104
PPP00000045743101	COVER, ADJUSTABLE FOOT, 842/846	105
PPP00000CATN025075	SCREW, SKHD, 1/4-20 X 3/4, BLK SHARPER	106
PPP00000TFTN025075	SCREW, BTHD, 1/4-20X3/4, BLK SHARPERIZ	107
PPP000000049364101	ASSY, WATER BOTTLE HOLDER	109
PPP00000BACN031175	BOLT, CARRIAGE, 5/16-18 X 1.75	111
PPP00000WBANN034013	WASHER, FLAT, ID=11/32, OD3/4, TH=.125,	112
PPP000000012289806	SPCR, SELFRETAIN, NYLN, #8(M-4), 3/8"	113
PPP000000012414101	CABLE CLAMP INSERT, SNAP IN	114
PPP000000045250040	ASSY, CBL, 2C, 16AWG, QK DISC, 40"	115
PPP000000045742101	WHEEL, 846/842	116
PPP00000ABHN025002	RING, RETAINING, 25MM EXTERNAL	117
PPP00000ACHN075004	RING, RETAINING, 3/4, INT	118
PPP00000ADHN052002	RING, RETAINING, INTERNAL (52MM)	119
PPP00000HEWN031075	SCREW, HEXHD, 5/16-18X.75LG, GR8, YZN	120
PPP00000HJCN031200	SCREW, HEX, 5/16-18X2.0 ,ZINC, FULLY T	121

PPP00000KGCN031027	LOCKNUT,STARWASHER,5/16-18,1/2	122
PPP00000MGCN016025	SCREW,MCH,8-32X1/4,PANHD,PHIL,	123
PPP00000PGTN016050	SCREW,S/T,#8X1/2,TRS,PHIL,BLK SHARP	125
PPP00000PMTN016088	SCREW,TCS,#8X7/8,PHIL,BLK SHARPERIZ	126
PPP00000RATN038050	SCREW,SHLD,3/8 X 1/2 ,HEXSC,BLK SH	127
PPP00000WAKNN044004	WASHER, WAVE, SSB-0205	128
PPP000000045744102	KNOB HANDLE,846/842, (DEEP BLUE)	129
PPP000000010231125	SPRING,COMP, .716 OD X .75 L X .042	130
PPP000000049020101	CRANK, LH, SP BIKE,PRESS FIT	131
PPP000000049020102	CRANK, RH, SP BIKE,PRESS FIT	132
PPP000000045838101	SCREW, CUSTOM, CRANK, M8 X 22L, SP	135
PPP000000038650104	CAP, SEAT POST, C846U (MACHINED),TI	136
PPP000000045514101	BEARING,SEAT POST	137
PPP000000010231128	SPRING,COMPRESSION,.420 X 1.75 X .0	138
PPP00000HCTN050500	SCREW,HEX,GR5,1/2-13X5,BLK SHARPERI	139
PPP000000012577101	MULTI-THREAD U-NUT 1/4-20 ITW CIP	140
PPP00000PMTN016050	SCREW,TCS,#8X1/2,PHIL,BLK SHARPERIZ	141
PPP00000WACN019005	WASHER, FLT, #10X.500X.049,ZN	142
PPP000000048707101	BACK PANEL, DISPLAY-C, W/O USB	143
PPP000000048778102	LABEL, SNAP DOME, 3 BUTTON BIKE	144
PPP00000TATN031175	SCREW,BTHD,5/16-18X1-3/4,BLK SHARPE	160
PPP00000WBZN050008	WASHER, FLAT,1/2,.086 BLK CVS	176
PPP000000010136102	CLIP,U TYPE, TINNERMAN, 1/4-20	177
PPP00000MGTN016075	SCREW, MACHINE, 8-32X3/4, PANHD, PH	180
PPP000000049785101	HOLE PLUG, 25MM, BPFE SERIES	190
PPP000000049081102	KIT,HARDWARE,C846I/C842I,DISPLAY-C	200
PPP000000058022102	CRANKARM REPLACEMENT KIT	202
PPP000000058020101	C842, C846V2, 120V POWER SUPPLY OPT	205
PPP000000058022102	CRANKARM REPLACEMENT KIT	250
PPP000000049339104	LITERATURE KIT, C842I UPRIGHT, DISP	999